

## Waveguide to Coaxial Adapter

Dolph Microwave manufactures Waveguide to Coax Adapters covering the entire frequency range for Rectangular Waveguides and Double Ridge Waveguides, with multiple flange and coaxial connector types and configurations available.

We also offer a line of Precision Adapters to suit laboratory or test bench applications. The precision version is manufactured from brass and painted with attractive, hard wearing, epoxy paint finish as standard. Each adapter is tuned to offer the highest possible performance over the full waveguide frequency band.

WCA - Waveguide to Coaxial Adapter. N - Connector type is N type, and SMA, K-Type, 2.4mm, 2.9mm, TNC, SC and 7/16" connectors. The flange type, connector and length can be custom made as per customer's specific requirements.

For more information feel free to call us and discuss your needs for Waveguide to Coax Adapters with one of our design engineers.

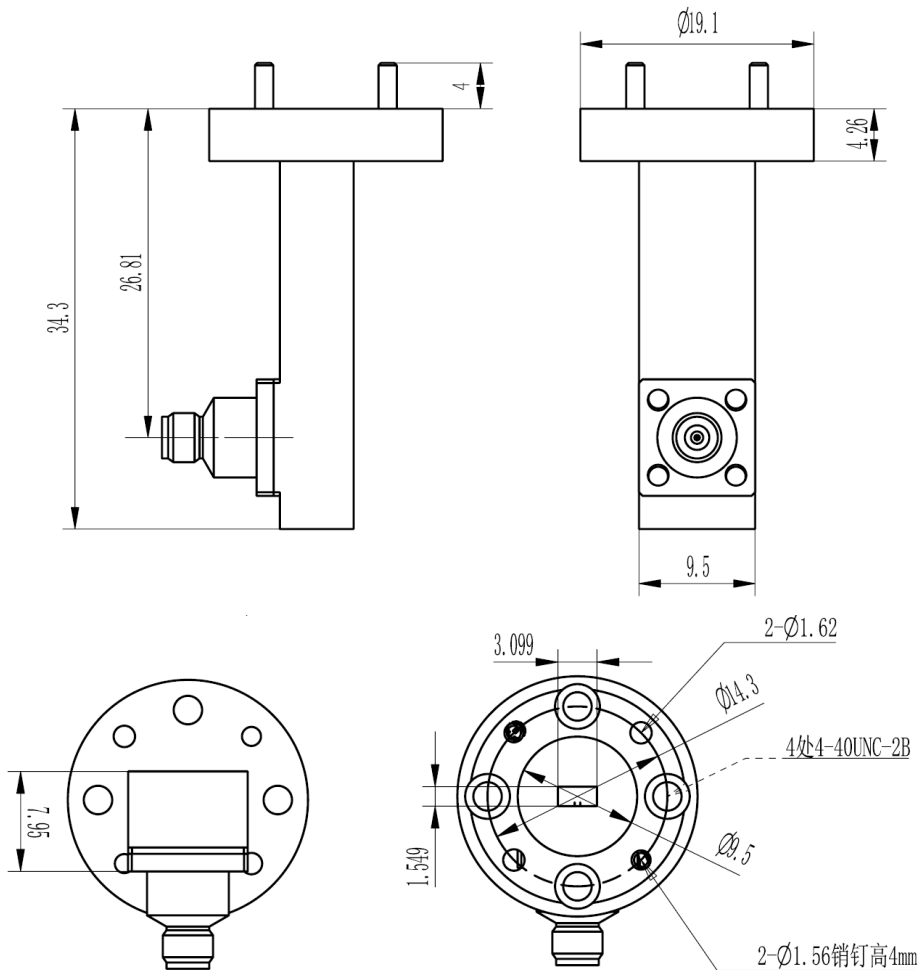


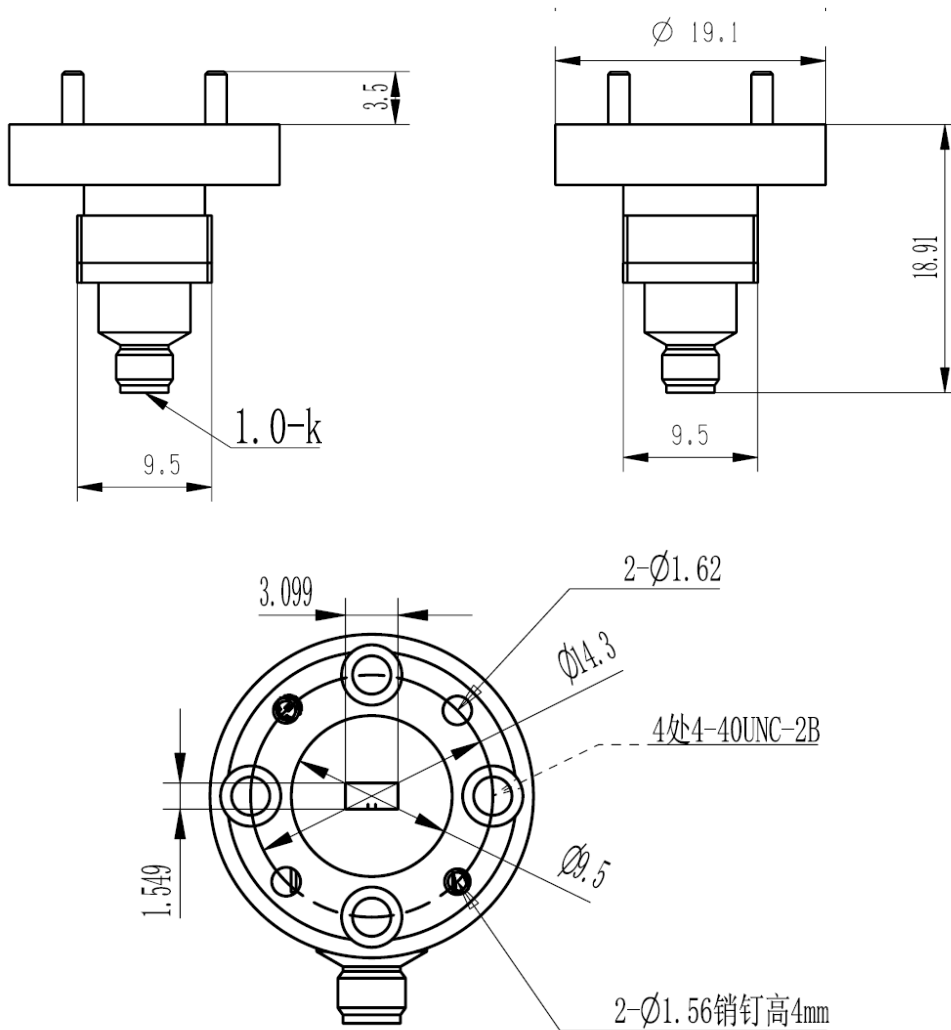
- **Technical Specification**

<b>WR12 Waveguide to Coaxial Adapter</b>	
<b>Electrical Specifications</b>	
<b>Model</b>	DH-740WCA_WECA1.OPC
<b>Frequency Range</b>	60.5-91.9 GHz

VSWR	1.35:1
Insertion loss	1.0 dB
Handling power	5 W
<b>Mechanical Specifications</b>	
Waveguide Type	WR12
Flange type	FUGP740 (Cover)
Connector type	1.0mm-female
Material	Copper
Finish	Gold plating, un-paint

● Outline Drawing (Size: mm)





## ● Typical Performance

